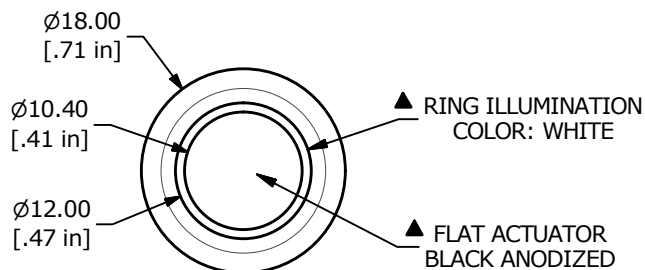
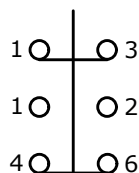


PANEL CUTOUT
MAX. PANEL THICKNESS
14.0mm [.55]

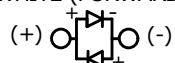


| SWITCH FUNCTION | |
|-----------------|----------|
| POS. 1 | POS. 2 |
| | |
| ON | (ON) |
| 1-3, 4-6 | 1-2, 4-5 |

(ON) = MOMENTARY

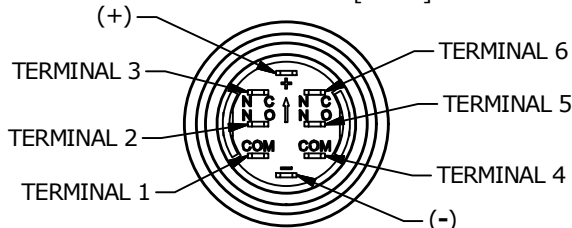
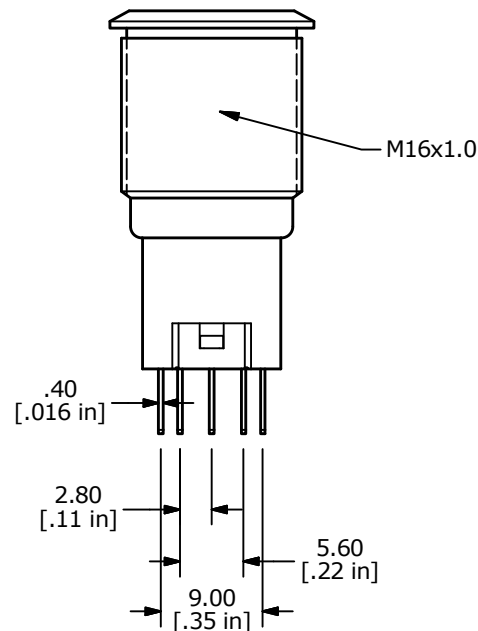
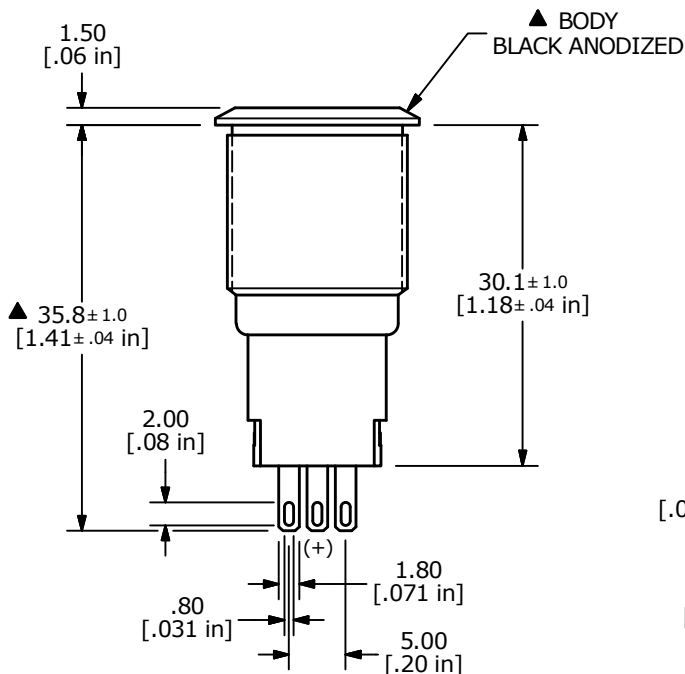


4 0 5
WHITE (FORWARD)



WHITE (REVERSE)

▲ DPDT ON-(ON)
CONTACT CONFIGURATION



NOTE:

1. ALL DIMENSIONS IN MM [INCH]
2. GENERAL TOLERANCE: X.X = ±0.4
X.XX = ±0.25
3. TERMINAL NUMBERS FOR REF ONLY
4. CONTACT MATERIAL: SILVER
5. RATING: 2A 48VDC
6. ELECTRIC LIFE: 50,000 MAKE-AND-BREAK CYCLES AT FULL LOAD.
7. INSULATION RESISTANCE: 1,000 MΩ MIN.
8. DIELECTRIC STRENGTH: 2,000 VAC MIN. FOR 1 MINUTE
9. CONTACT RESISTANCE: 50mΩ MAX. @ 1A 12VDC
10. OPERATING TEMP.: -20°C to 55°C
11. ▲ DENOTES CRITICAL PARAMETER.
12. HARDWARE SUPPLIED: O-RING AND HEXNUT
13. INGRESS RATING: IP40
14. LAMP VOLTAGE: 12V

| REV | PCR NO | DESCRIPTION | DATE | BY |
|-----|--------|----------------------------|---------|-----|
| G | 23613 | update +/- Terminals | 2/20/19 | MW |
| F | 23361 | UPDATED RATING TO 2A 48VDC | 5/14/18 | MJR |
| E | 22884 | UPDATED RATING TO 1A 24VDC | 6/16/17 | MJR |



| | | | | |
|---------------------|----------------|--------|---------------------|-------|
| TITLE PV3F2H011-304 | | | | |
| SCALE 3:2 | DATE 1/25/2012 | DR BMA | DWG 52-PV3F2H011304 | REV G |

THE INFORMATION CONTAINED IN THIS DOCUMENT IS PROPRIETARY TO E-SWITCH AND IS NOT TO BE COPIED OR TRANSFERRED